

# GS Trailers - 8 x 28 Hydraulic Pro Flat Frame

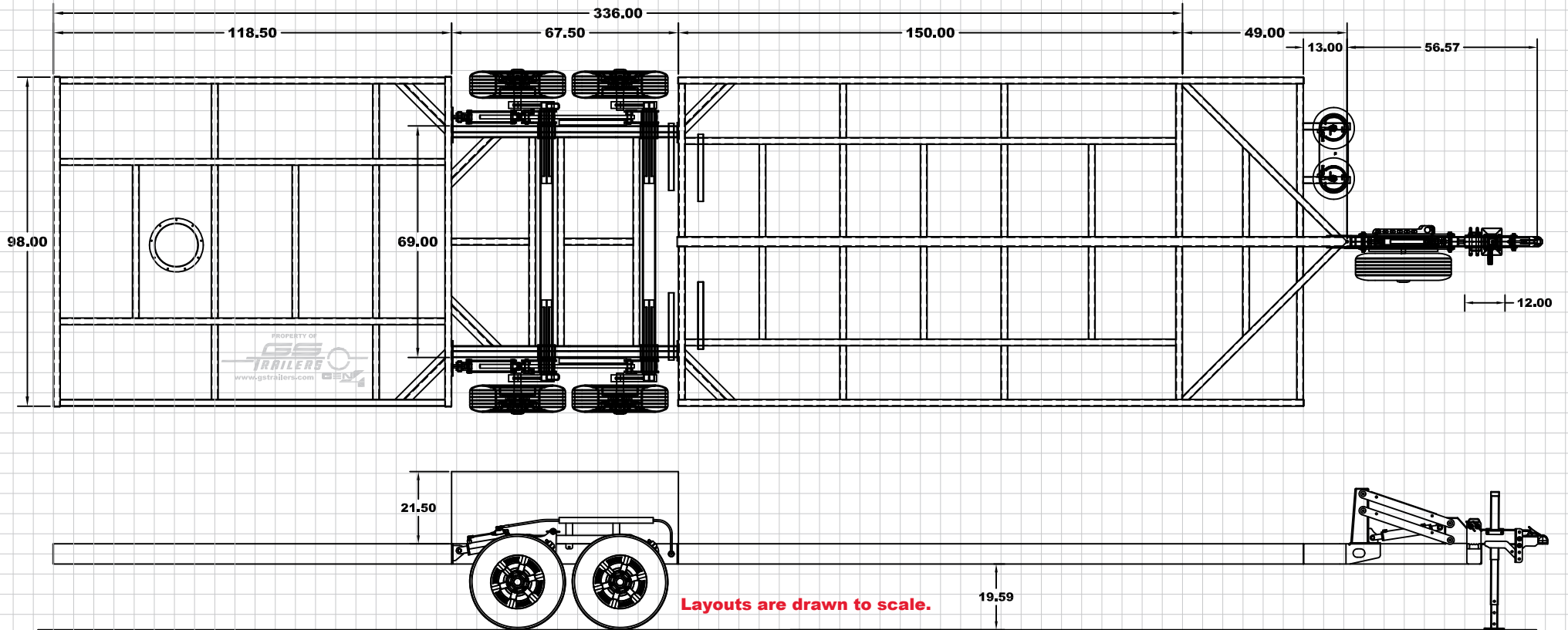
Thanks for considering a GS Trailer with our grease-less / maintenance free pivot point technology for your next build. For more information visit our videos and resources page and also our FAQ for more great information.

## Available Coatings:

Dual Layer Powder Coat Process: Endura Step Powder Coat with Zinc Rich Powder Coat Primer

Hot Dipped Galvanized - Gets inside the tubes also.

Hot Dipped Galvanize with Powder Coat Top Coat.



## Frame Build Options:

- Bay Window Bump Out
- Receiver Hitch
- Tank Holders - Driver, Passenger or Both
- Dual Circuit Pump
- Static Hitch or Parallel System

and more bolt on options at [www.gstrailers.com](http://www.gstrailers.com)

Notes: \_\_\_\_\_  
\_\_\_\_\_  
\_\_\_\_\_  
\_\_\_\_\_  
\_\_\_\_\_

Spare Tire, Propane Tanks and Fishing Hole Inserts are not included with the frame. Shown for layout representation.